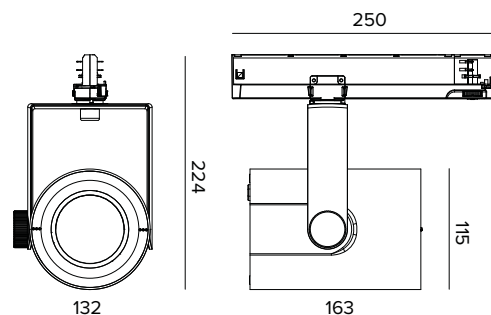


T034DBS930CADB | RAY 115 ZOOM

Professional adjustable LED projector with a variable light beam opening



The fixture's photometric values can be found on the following pages



The figures on the drawing are expressed in mm.

SOURCE

High efficiency Chip on Board LED Ra90. Ra97 on request.

Energy efficiency class: D

Nominal power: 22W

Nominal flux: 2691lm

Colour rendering index: 90

Rf: 92

Rg: 101

CCT nominal: 3000K

Lifetime (L80/B10): >50000h tq +25°C

ILLUMINOTECHNICAL CHARACTERISTICS

ZOOM DBS (Dynamic Beam Shaper) version: for a controlled zoom effect with CASAMBI. Optic with a PMMA TIR lens and a liquid crystal lens.

Optic: LENS

Beam angles: SP-WFL

Optical efficiency: See photometries

Fixture flux: See photometries

Luminous efficacy: See photometries

Photobiological safety: Compliant with RG1 low risk group

MECHANICAL CHARACTERISTICS

Painted die-cast aluminium body. Black painted polycarbonate front ring. Adjustable from 0° to -90° on the vertical plane and 359° on the horizontal plane. Mechanical beam locking system on the vertical plane and friction beam locking system on the horizontal plane. The centre of gravity always remains in axis with the track regardless of the aiming.

Colour and finish: Deep black

Dimensions: 115

Weight: 1.2Kg

Version: DBS

Degree of protection: IP20

ELECTRICAL CHARACTERISTICS

CASAMBI electronic driver integrated into the track adapter.

Fixture Power: 25W

Power supply: 220-240Vac 50/60Hz

Insulation Class: CLASS 2

Type of driver / Control: CASAMBI

Driver included: YES

Class F: YES

Ambient temperature: 0°C / +25°C

INSTALLATION

Electrified track mounting.

NOTES

Commissioning of the control system via free APP; the intervention of a specialist technician can be quoted on request.

WARRANTY

5 years.

WARNING

Luminaire designed for disposal/recycling at end-of-life. Replaceable (LED only) light source by a professional. Replaceable control gear by a professional.

Due to the technological evolution of the electronic components, the data provided may be updated, and as such, confirmation must be requested during the order process.

Luminous flux and power supply have +/-10% tolerances with respect to the indicated value. tq +25°C (CIE 121).

We reserve the right to make technical changes.

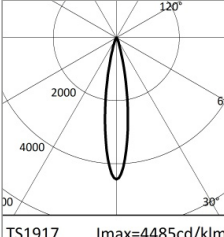
Targetti Sankey S.r.l.
Via Pratese, 164
50145 Firenze - Italy
Tel: +39 055 37911
targetti.com
targetti@targetti.com

CCIAA Firenze
Share Capital:
€ 500.000,00
VAT N. (IT):
01537660480
R.E.A.: FI-275656

TARGETTI

T034DBS930CADB | RAY 115 ZOOM

Professional adjustable LED projector with a variable light beam opening



	3000K	H(m)	D(m)	Emax(lx)		
	Ra90		18°			
Fixture Power	25W	1	0.32	12070		
Source Flux	2691lm	2	0.64	3017		
Fixture Flux	1740lm	3	0.97	1341		
Efficacy	70lm/W	4	1.29	754		
TS1917	I _{max} =4485cd/klm	I _{max}	12070cd	5	1.61	483



	3000K	H(m)	D(m)	Emax(lx)		
	Ra90		53°			
Fixture Power	25W	1	1.00	1509		
Source Flux	2691lm	2	1.99	377		
Fixture Flux	1619lm	3	2.99	168		
Efficacy	65lm/W	4	3.99	94		
TS1916	I _{max} =561cd/klm	I _{max}	1509cd	5	4.99	60

SP

Fixture flux	1740lm
Luminous efficacy	70lm/W
Optical efficiency	65%

FL

Fixture flux	1619lm
Luminous efficacy	65lm/W
Optical efficiency	60%

Due to the technological evolution of the electronic components, the data provided may be updated, and as such, confirmation must be requested during the order process.

Luminous flux and power supply have +/-10% tolerances with respect to the indicated value. tq +25°C (CIE 121).

We reserve the right to make technical changes.

Targetti Sankey S.r.l.
Via Pratese, 164
50145 Firenze - Italy
Tel: +39 055 37911
targetti.com
targetti@targetti.com

CCIAA Firenze
Share Capital:
€ 500.000,00
VAT N. (IT):
01537660480
R.E.A.: FI-275656

TARGETTI